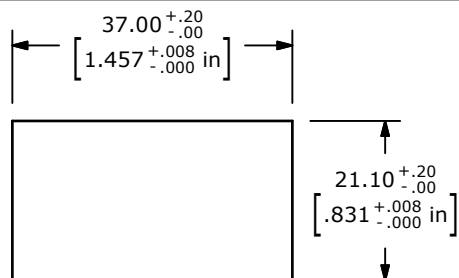
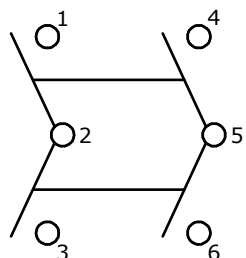
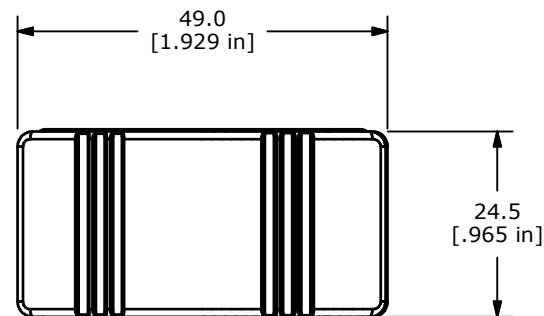


▲ SWITCH FUNCTION		
POS. 1	POS. 2	POS. 3
(ON)	OFF	ON
1-2; 4-5	OFF	2-3; 5-6



RECOMMENDED
PANEL CUT-OUT

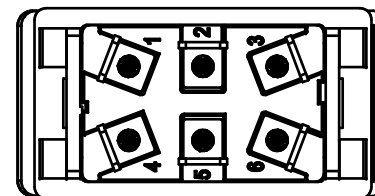
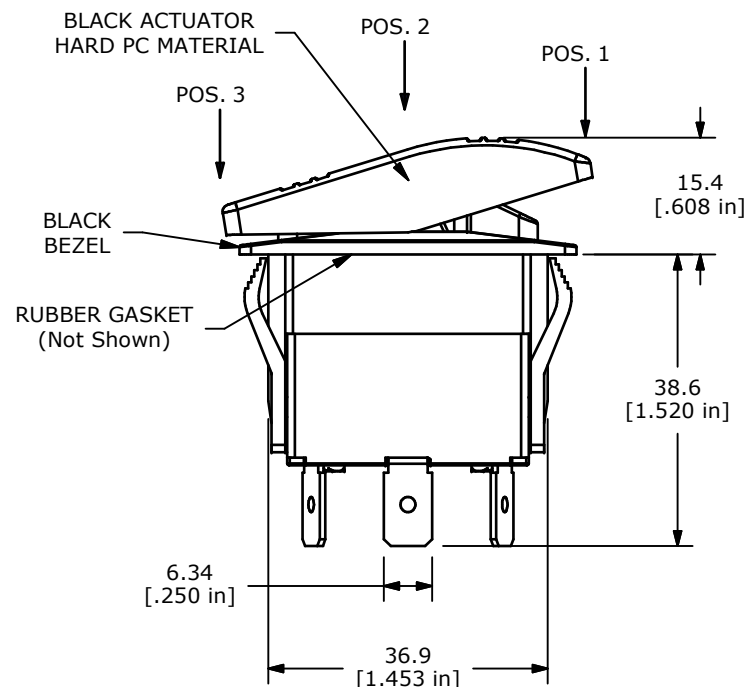
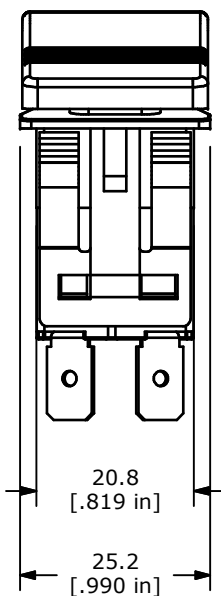


CIRCUIT: DPDT
(ON) - OFF - ON

() = MOMENTARY FUNCTION

NOTES:

1. ALL DIMENSIONS IN MM [INCH]
2. GENERAL TOLERANCE: X.X=±0.4
X.XX=±0.25
3. TERM. NOS. FOR REF. ONLY
4. RATING: 20(8)A @125/250VAC 50/60 Hz, μT55
UL LISTED
5. ELECTRICAL LIFE: 10,000 CYCLES
6. MECHANICAL LIFE: 30,000 CYCLES
7. CONTACT RESISTANCE: <20 MILLI-OHMS INITIAL
8. DIELECTRIC STRENGTH: >1,500V AC 1MIN
9. INSULATION RESISTANCE: >100 MOHMS @ 500VDC
10. OPERATING TEMP: 0°C to 55°C
11. LED VOLTAGE: NONE
12. ▲DENOTES CRITICAL PARAMETER.
13. 2002/95/EC (ROHS) COMPLIANT



TITLE R727FC1-SXXXNBBNNX

A	21398	INITIAL RELEASE	3/10/14	EBP
REV	PCR NO	DESCRIPTION	DATE	BY

SCALE	DATE	DR	DWG	REV
	3/10/2014	EBP	C700022	A

THE INFORMATION CONTAINED IN THIS DOCUMENT IS PROPRIETARY TO E-SWITCH AND IS NOT TO BE COPIED OR TRANSFERRED